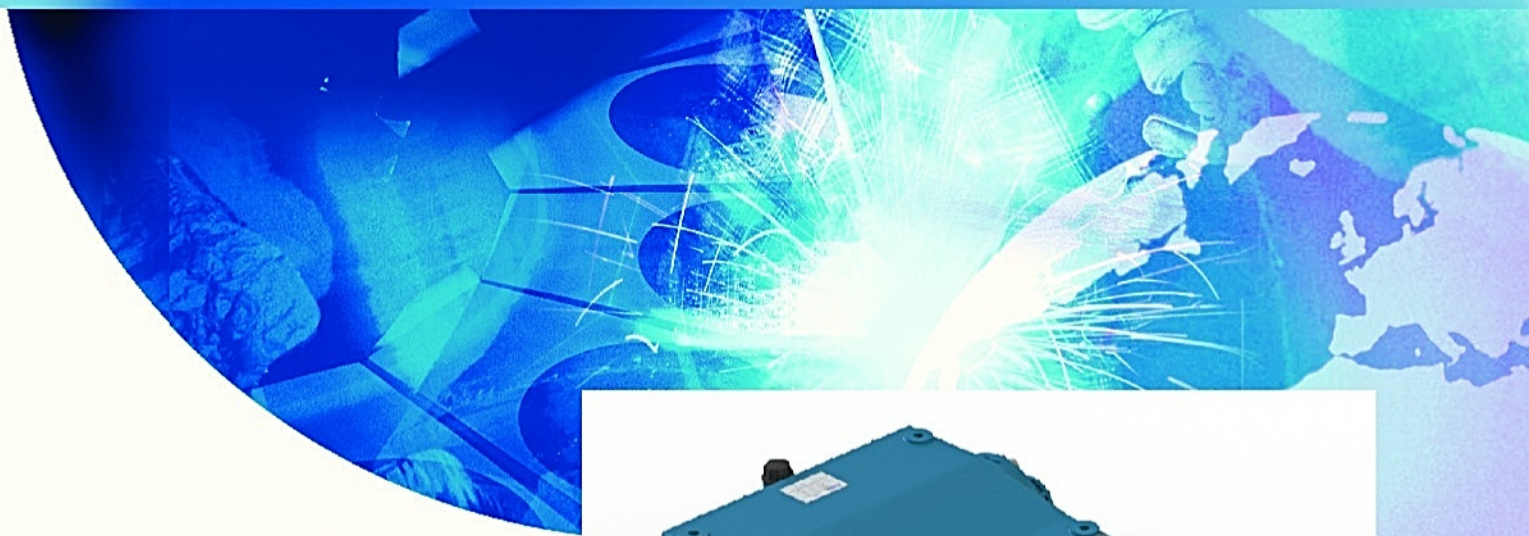


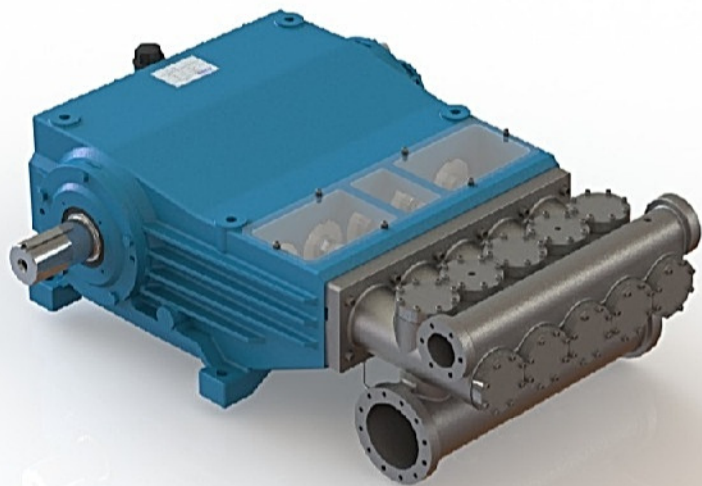


# RAM PUMPS

Meeting The Toughest Challenges



**170 SERIES**  
Quintuplex Plunger Pump



Design, Development and Manufacture  
of Reciprocating Process Pumps to  
Recognised International Industry Standards



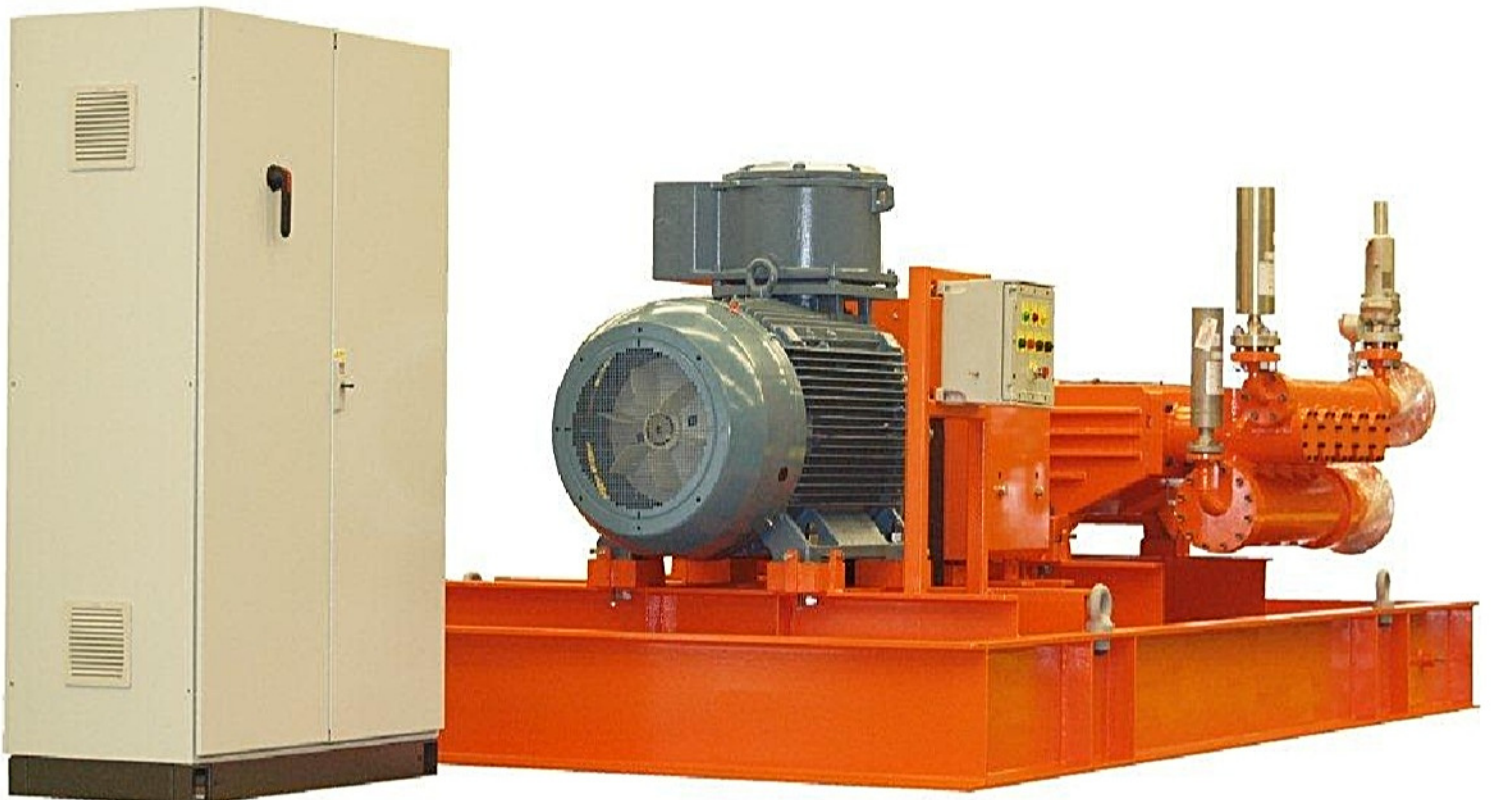
## RAM Triplex Plunger Pumps

are designed and manufactured to the highest degree of precision to ensure total reliability and durability is maintained throughout our product range.

**RAM Pumps** conforms to all the latest quality standards and directives including ISO 9001/2000, ATEX, EC P.E.D., Norsok, Gost, Stoomwezen. These standards are necessary when supplying this type of product for the most arduous and demanding of applications.

## Features / Benefits

- Crankcase design with special built-in motor support mounting.  
*Providing the option of installing the motor overhead to keep both the footprint and weight to a minimum.*
- A range of liquid end materials are available.  
*Providing complete compatibility with pumping media.*
- Special pressure-formed, braided, PTFE impregnated Kevlar® packings.  
*Offering exceptionally long life and a wide range of liquid compatibility.*
- Packings housed in packing cylinder.  
*Assuring proper alignment and optimum life.*
- Plungers are specially surface treated for abrasion resistance. Solid ceramic plungers are also available.  
*Providing the highest quality sealing surface for extended packing life.*



**170 SERIES**  
Quintuplex Plunger Pump

## Specification

## HCH

- Spheroidal graphite iron crankcase.  
*Offering exceptional strength, vibration dampening and flame and spark resistance for added protection in hazardous areas.*
- Various plunger diameters available.  
*Allowing for a wide range of performances to best suit the application.*
- Standard splash crankcase lubrication with optional pressure lubrication system.
- Modular design.
- Customised builds available to suit individual clients specification.

### STANDARD

Flow (l/min)	2300
Max System Press (barg)	140
Max RPM	360

### API

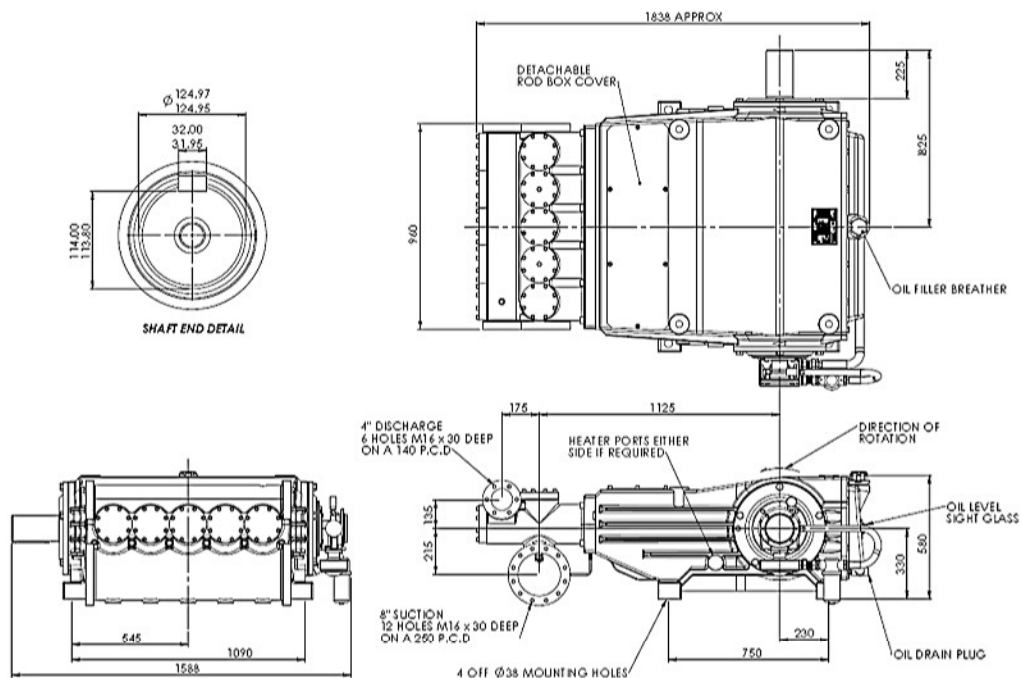
Flow (l/min)	1710
Max System Press (barg)	140
Max RPM	270

### COMMON SPECIFICATION

Max Inlet Pressure (barg)	30
Minimum RPM	75
Max kW	282
Stroke (mm)	170
Max Temp (°C)	150*
Min Temp (°C)	-6*
Inlet Ports	8"
Discharged Ports (2)	4"
Weight (kg)	3000
Crankcase Oil Capacity (litres)	120

For continuous duty select AP1674 speed or lower.

\* Based upon standard materials. Alternative metallurgy / elastomer combinations are available in order to meet your specific needs for lower sub zero operation to increased positive temperatures.



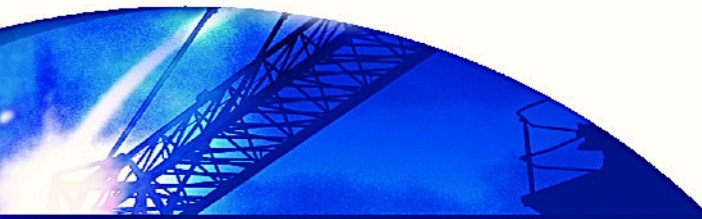
**RAM PUMPS**  
Meeting The Toughest Challenges





# RAM PUMPS

Meeting The Toughest Challenges



With over 35 years of experience in the field, Ram Pump's product range covers almost any application. Given that there is almost an infinite variation of build options, we pride ourselves in our expertise to construct special purpose equipment for our client's individual needs.



## Oil and Gas

- Glycol Injection or Regeneration
- Methanol Injection
- Hydrocarbon Condensate
- Hydro Test
- Water Production
- Drill Cutting Re-injection
- Miscible Gas injection

Your Authorised Representative:



## Reverse Osmosis

- De-salination
- Food Processing
- Pharmaceuticals



## Industrial

- Water Jetting
- De-scaling
- Boiler Feed

## Ram Pumps Limited

Unit C, Decoy Road  
Dominion Way, Worthing,  
West Sussex, BN14 8ND

Tel: +44 (0) 1903 206622  
Fax: +44 (0) 1903 205511  
[www.rampumps.co.uk](http://www.rampumps.co.uk)  
[sales@rampumps.co.uk](mailto:sales@rampumps.co.uk)